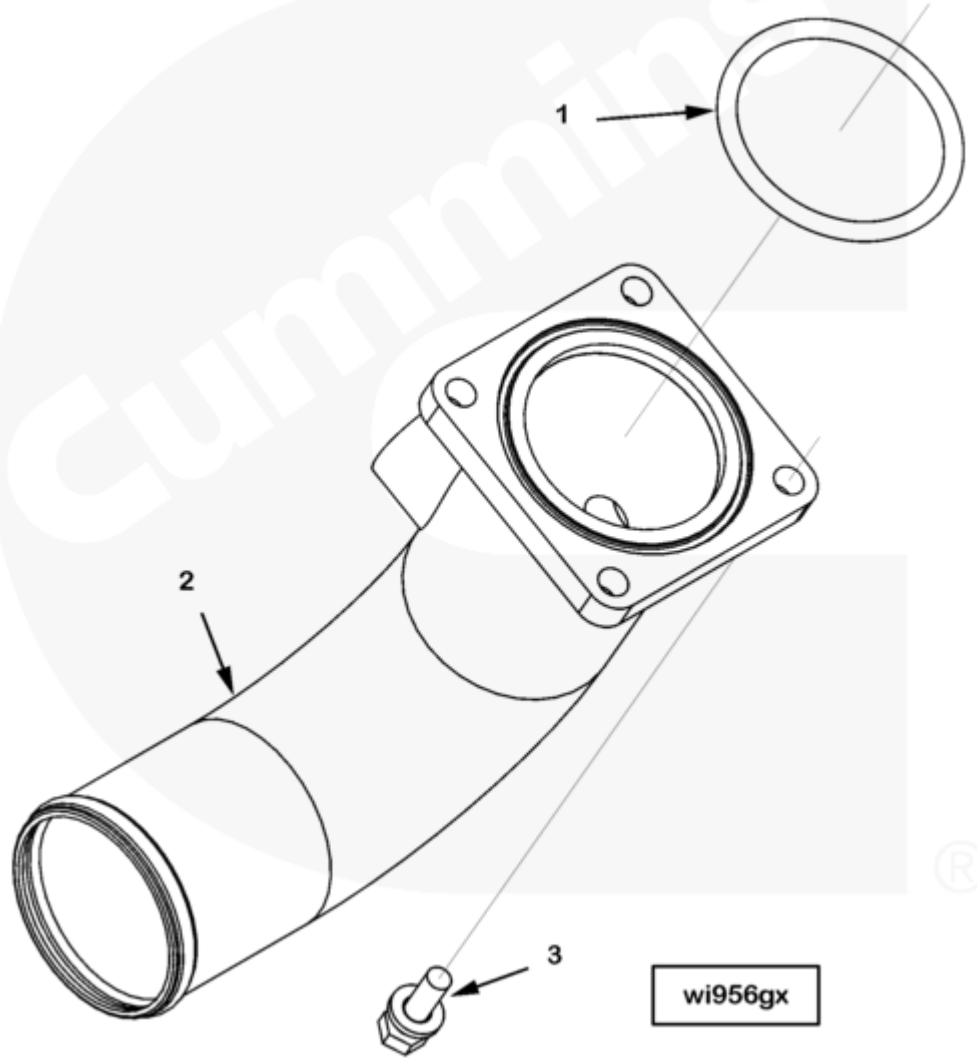




Parts Catalog - Option Detail

Electronic Parts Catalog - Option Detail				
Option	Group	Graphic	Film Card	Date
WI50002	08.07.1	wi956gx	P23	08-SEP-08
Engines	QSK23 CM2250 K109, QSK23 CM500			

©Cummins Inc



[SMALL](#) | [MEDIUM](#) | [LARGE](#)

Cart	Ref No	Part Number	Part Description	Required	Remarks
<input type="button" value="View My Cart"/>					
		WI50002	Water Inlet Connection		Water inlet connection
<input type="checkbox"/>	1	4095951	O-Ring Seal	1	

<input type="checkbox"/>	2	4096053	Water Transfer Tube	1	
<input type="checkbox"/>	3	4096715	Captive Washer Cap Screw	4	

© 2019 Cummins Inc., Box 3005, Columbus, IN 47202-3005 U.S.A.
Terms of Use and Disclaimers | Recommended System Requirements
Need Assistance? Please click on the Contact Us button in the top right corner of any page.